

Push-Pull Low Power Transformer

ME3160X Series Designed for use with
Maxim IC Max253 & Max845



- Operating Temperature : -40°C to +85°C
- Used in SMPS Push-Pull Topology
- UL94-V0 Recognized Materials
- UL1446 Class H (Class 180) Insulating System
- Switching Frequency: 250KHz - 1MHz
- PFA Teflon Insulation (Triple Insulated Wire)
- Up to 1 Watt

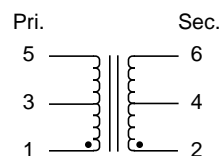
Electrical Parameters @ 25° C

Part Number	Voltage (V)		Primary OCL (µH Min.)	Turns Ratio (Pri. :Sec.)	ET (V-µSec.)	Duty Cycle (%)	Rectification (Half or Full Wave)
	V in	V out					
			@ 100 KHz, 0.1 Vrms		@ 350 KHz		Connections
ME31601	5	15	500	1CT:2CT	11	75	Voltage Doubler
ME31602	3.3	5	500	1CT:2CT	11	75	† Output Center Tap
	5	5	500	1CT:1.3CT	11	75	† Output Center Tap
ME31603	5	10	500	1CT:1.3CT	11	75	Voltage Doubler
	5	10	500	1CT:2.6CT	11	77	† Output Center Tap
ME31604	5	12	500	1CT:3CT	11	80	† Output Center Tap
	5	24	500	1CT:3CT	11	80	Voltage Doubler
ME31605	3.3	5	500	1CT:1CT	11	75	Voltage Doubler
ME31606	5	5	500	1CT:0.6CT	11	83	Voltage Doubler
ME31607	5	12	500	1CT:1.5CT	11	80	Voltage Doubler

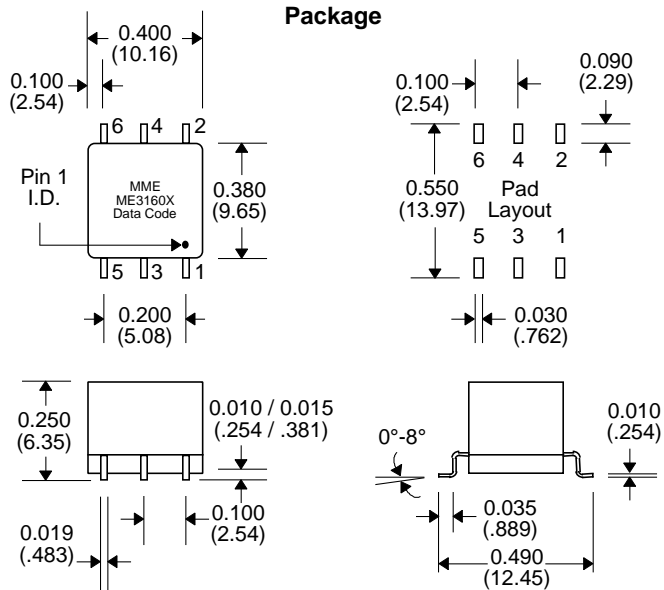
- † Connections : Output Center Tap as Common/Return
- Isolation : 4500 Vrms (100% Tested 1 Min.)

Notes :	ME3160X
1. Assembly Process (Solder Composition)	Hot Dipped Sn
2. Peak Solder Rating	260°C
3. Moisture Sensitive Levels (MSL)	4 (72 Hours, 30°C/60%RH)
4. Weight	1.2 grams
5. Packaging Information	(Tube) 50 pcs / tube (Tape & Reel) 500 pieces/13" reel

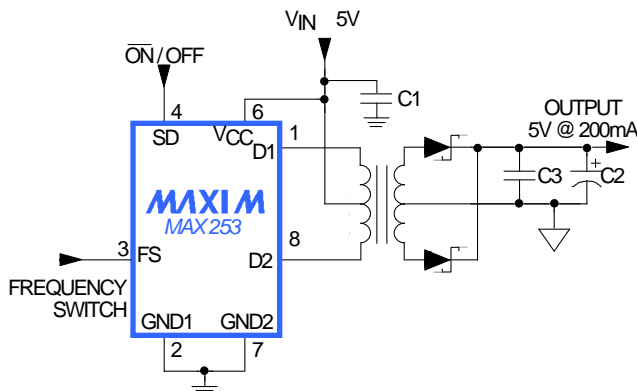
Schematic



Package



Application



Unless Otherwise Specified Dimensions are in Inches /mm ± .010 / .25